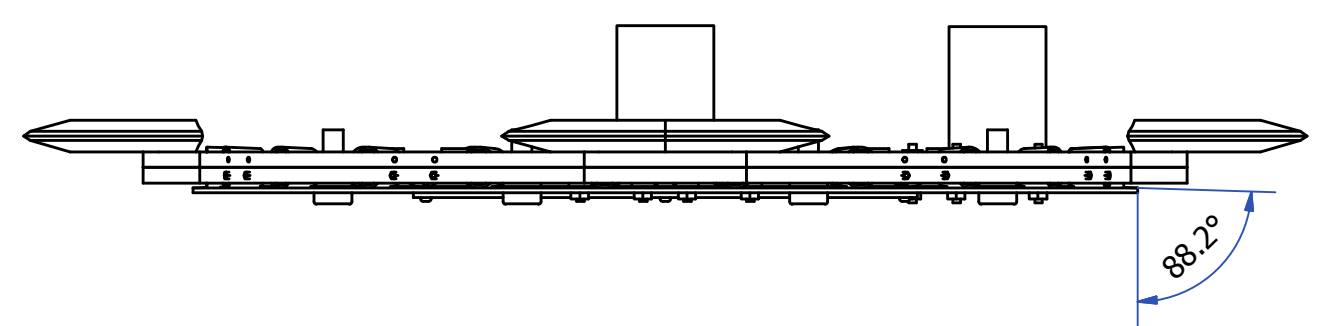
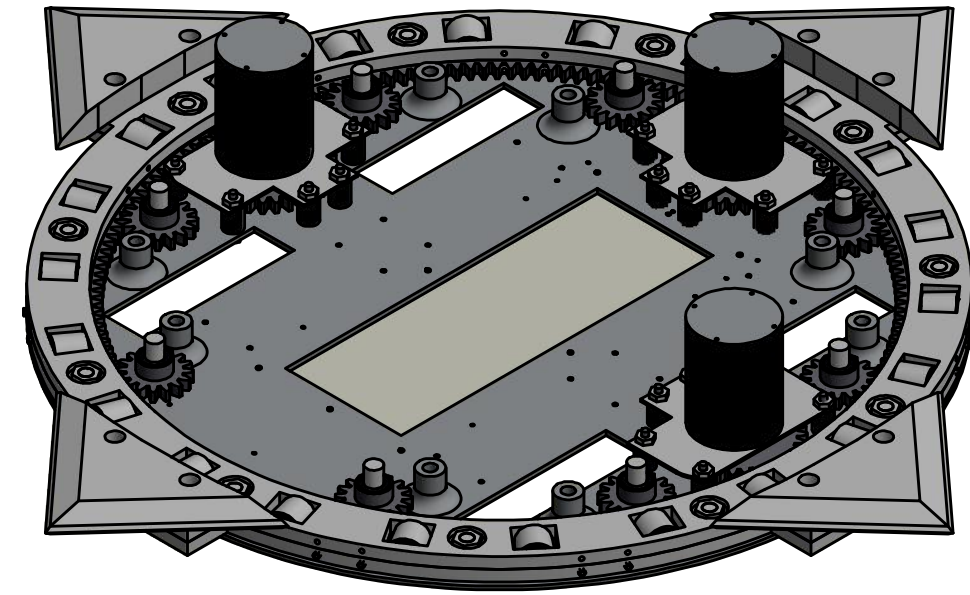
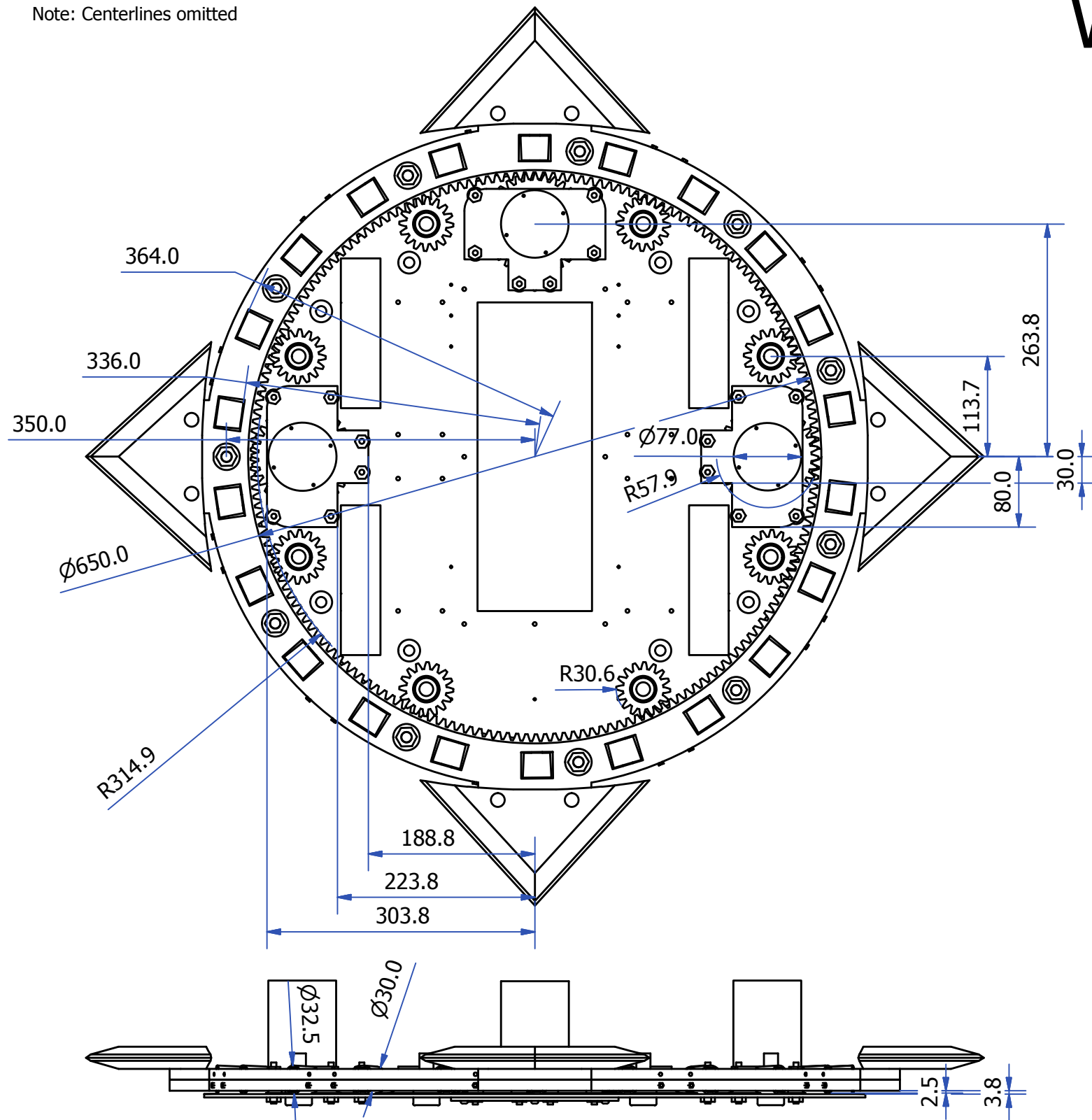


Note: Centerlines omitted

Weapon mechanism



						DRAWN BY Oliver Wilson		TITLE Mangō						
						DATE 13/12/15		DEPARTMENT Mechanical Engineering						
						FILENAME Mango.pdf		FILE LOCATION						
						TUTOR		Qty. 1						
ALL TOLERANCES ARE ±0.1mm UNLESS OTHERWISE SPECIFIED					ALL DIMENSIONS IN MILLIMETRES					SCALE 1 : 6		SHEET 1 of 1		A3