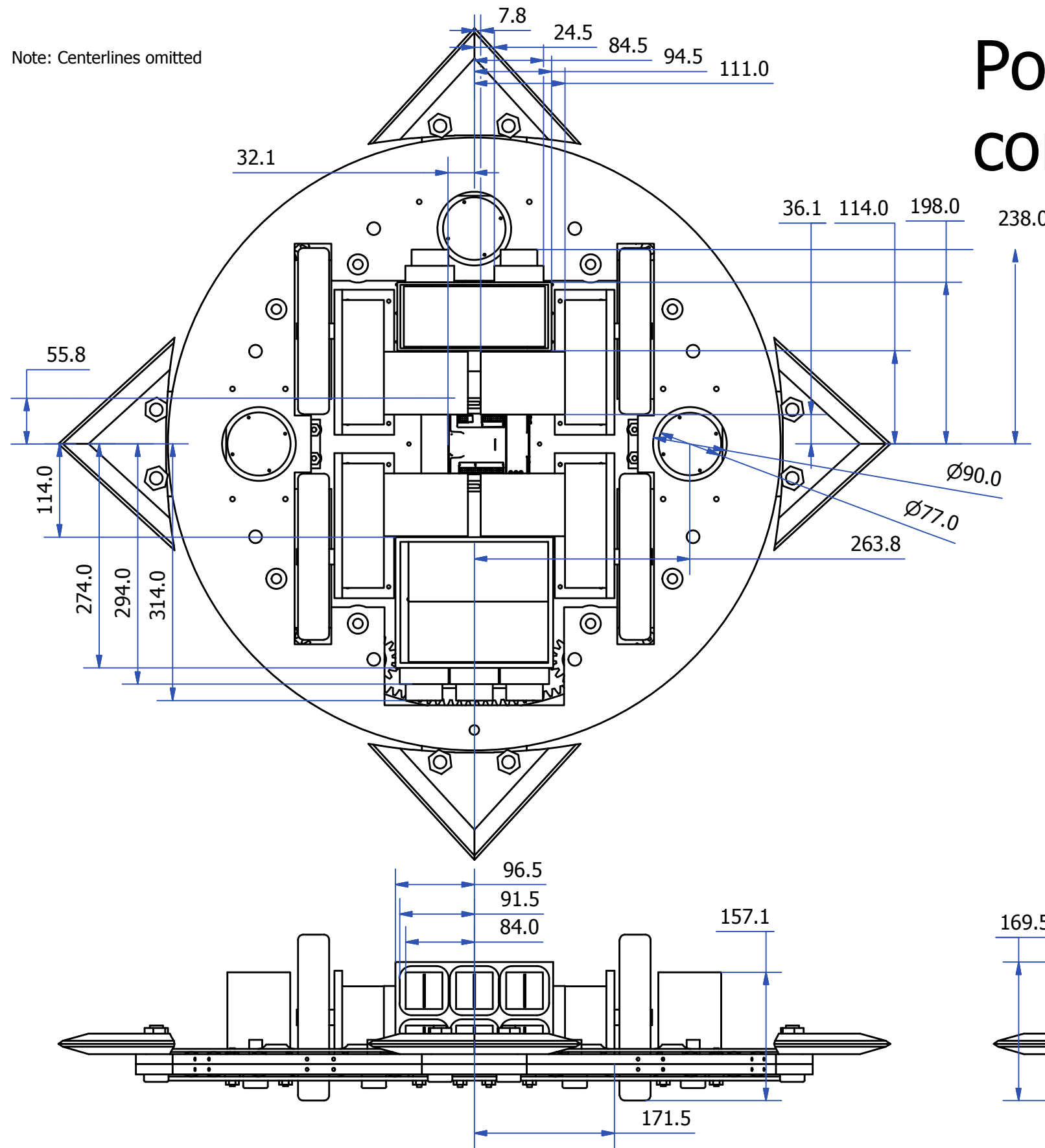
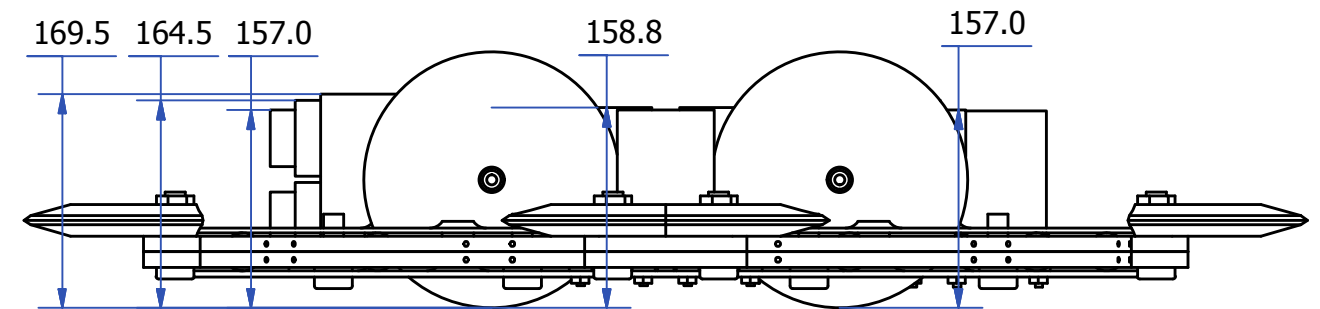
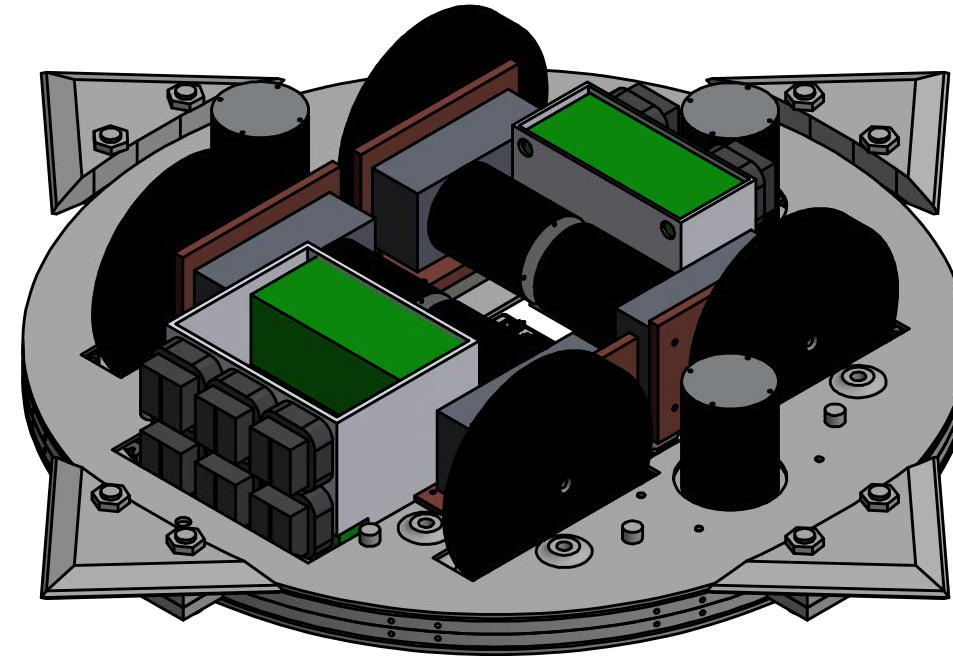

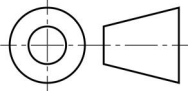


Note: Centerlines omitted



Positions of electrical components



					 <p>THE UNIVERSITY OF AUCKLAND NEW ZEALAND</p>	DRAWN BY Oliver Wilson DATE 13/12/15 FILENAME Mango.pdf TUTOR GROUP N ^o	TITLE Mangō DEPARTMENT Mechanical Engineering FILE LOCATION Qty. 1	SCALE 1 : 6 SHEET 1 of 1		A3
Change N ^o	Name of Item	Changes Made	OK	Date		ALL TOLERANCES ARE ±0.1mm UNLESS OTHERWISE SPECIFIED ALL DIMENSIONS IN MILLIMETRES				